

PA longitudinal conveyor under the press

TECHNICAL DATA SHEET

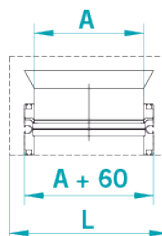
DRIVE UNIT

- Position: pendular on the LH side
- Gear motor power: 0.12 kW
- Conveyor speed: 3 m/min fixed
- Control: Siemens Start and Stop switch/motor cut-out
- Connection Voltage: 400 Volts/50 Hz
- Connection plug: 4P (3 phases+ground)

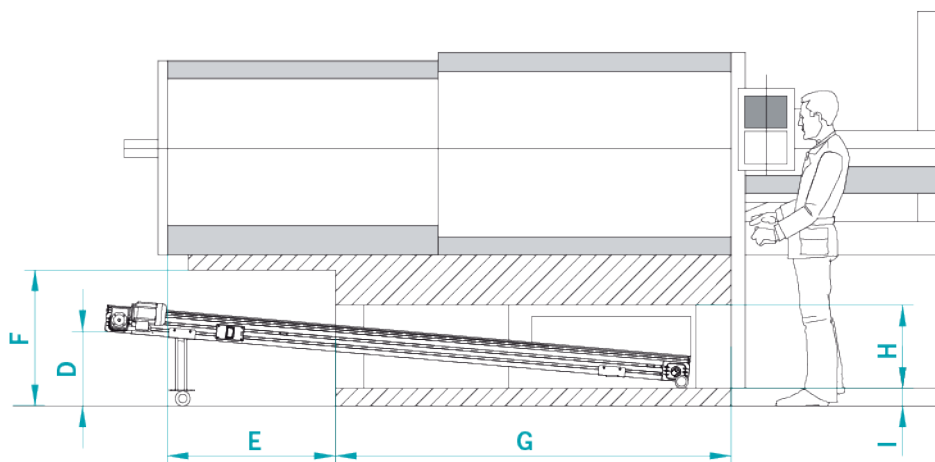
BELT

- Smooth green PU covering (ref. Pantone 320)
- Vulcanised belt joint
- Temperature resistance: -10°C to +90°C

SECTION



A (mm)	
D (mm)	
E (mm)	
F (mm)	
G (mm)	
H (mm)	
I (mm)	
L (mm)	
Capacity (Kg)	
Material to be conveyed	
Specify presence of lubricant, coolant or other fluid, if present.	



OPTIONAL

DRIVE UNIT

- Mounted on opposite side: RH side
- Drum motor (gear motor inside roller)

MB CONTROL PANEL 400 Volt/3/50 Hz

- Mod. NEW TOP CONTROL complete with programs and with three-phase Inverter

STANDARD FUNCTIONS

- Adjustable speed from _____ to _____ mt/min.
- Pause/Work for step-by-step advancement
- Robot/Pulse for timed advancement by external command

BELT

- Standard green PU (ref. Pantone 320) with slats
h= _____ mm (standard 20/30/50),
pitch= _____ mm (standard 400).
- For high temperatures, white Hytrel (max 110°C constant with momentary peaks +130°C) with slats
h= _____ mm (standard 20/30/50),
pitch= _____ mm (standard 400).
- Embossed green PVC (ref. Pantone 320) without slats

NOTES